



GLASSCRAFTERS INC.

MEASURE GUIDE

GLASSCRAFTERS INC.

193 Veterans Blvd., Carlstadt, NJ 07072
Office (888) 683-1362 or (201) 525-1116
Fax (201) 525-1117 sales@glasscraftersinc.com

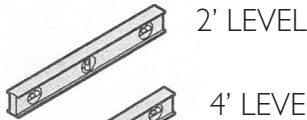
Select the illustration which most closely matches your illustration. Carefully measure and record all dimensions requested on drawing.

Please use the “order form” to specify the series, type of enclosure, metal finish and glass options etc. Please fax or email measuring guide and order form to GlassCrafters.

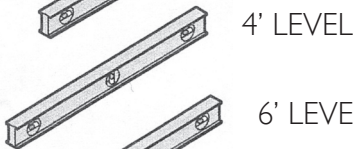
RECOMMENDED TOOLS:



TAPE MEASURE



2' LEVEL



4' LEVEL



6' LEVEL



MASKING TAPE



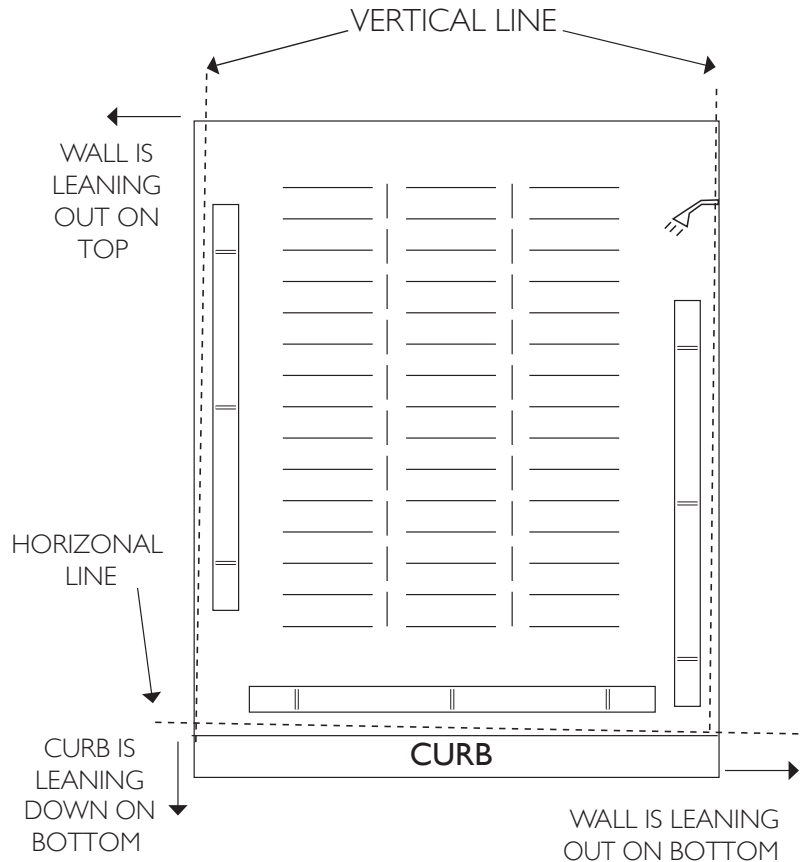
PROTRACTOR



PENCIL

MEASURING TIPS:

- Measuring must be done only after the tile work is complete.
- All the measured sizes are considered to be center-line of the base. If measured “OD” or “ID” it must be clearly noted on the measure sheet.
- When measuring please check for out of square and plumb conditions. For reference see guide below.





GLASSCRAFTERS INC.

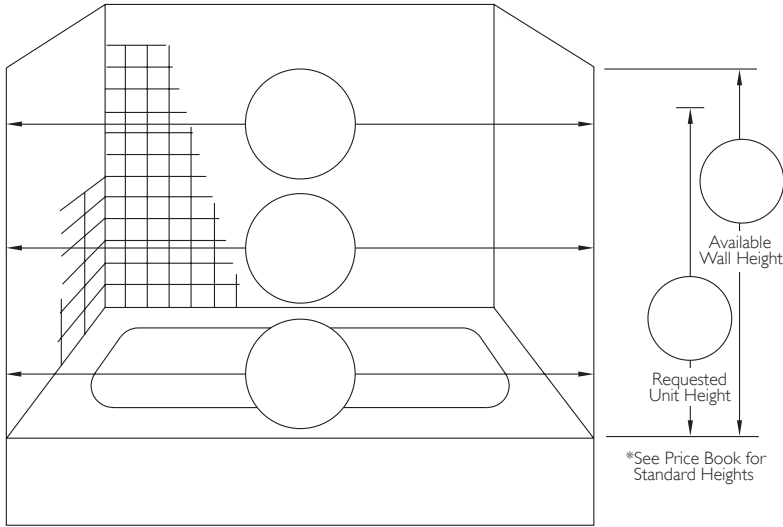
MEASURE GUIDE

GLASSCRAFTERS INC.

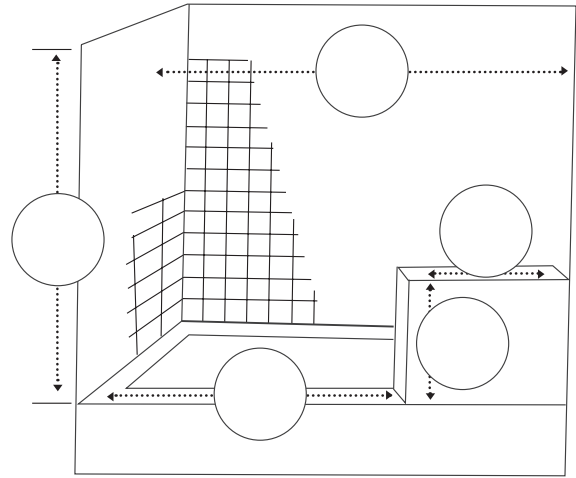
193 Veterans Blvd., Carlstadt, NJ 07072

Office (888) 683-1362 or (201) 525-1116

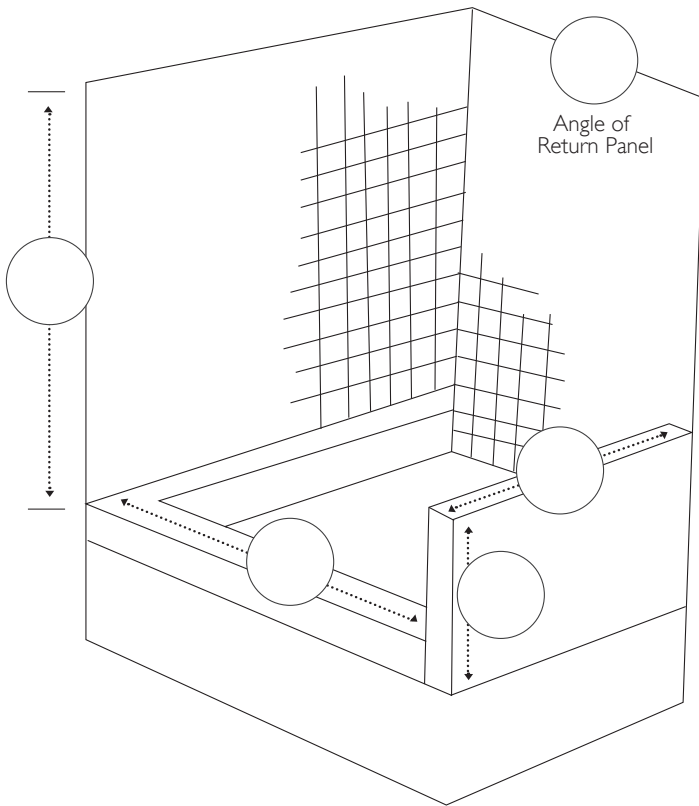
Fax (201) 525-1117 sales@glasscraftersinc.com



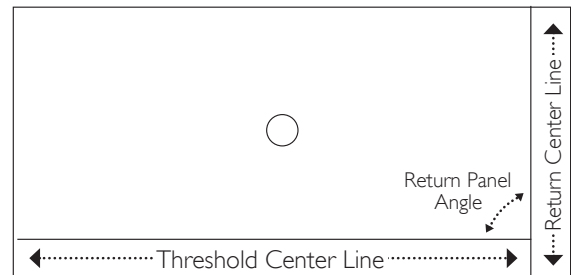
Tub



Tub with InLine Panel on Buttress



Tub with Return Panel on Buttress



Top View

DEALER:	*JOB NAME:
	For Internal Tracking
CONTACT:	JOB LOCATION:
	*
PHONE:	EMAIL:
FAX:	

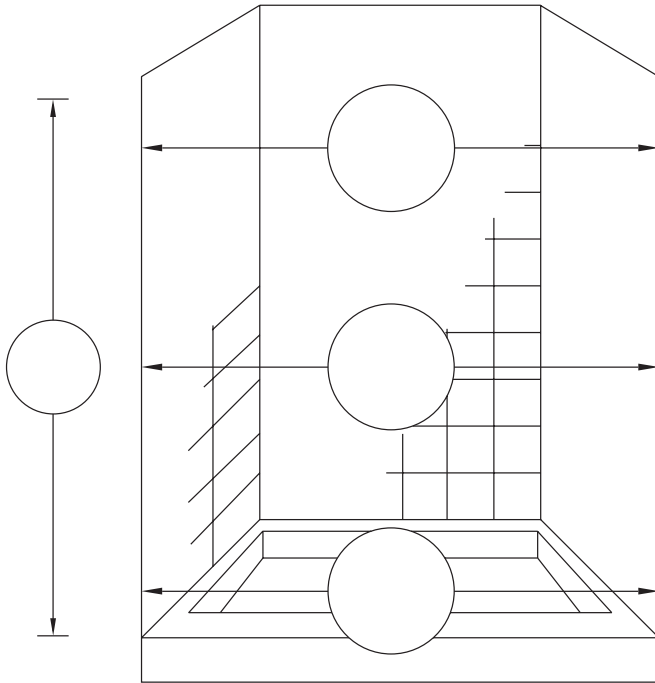


GLASSCRAFTERS INC.

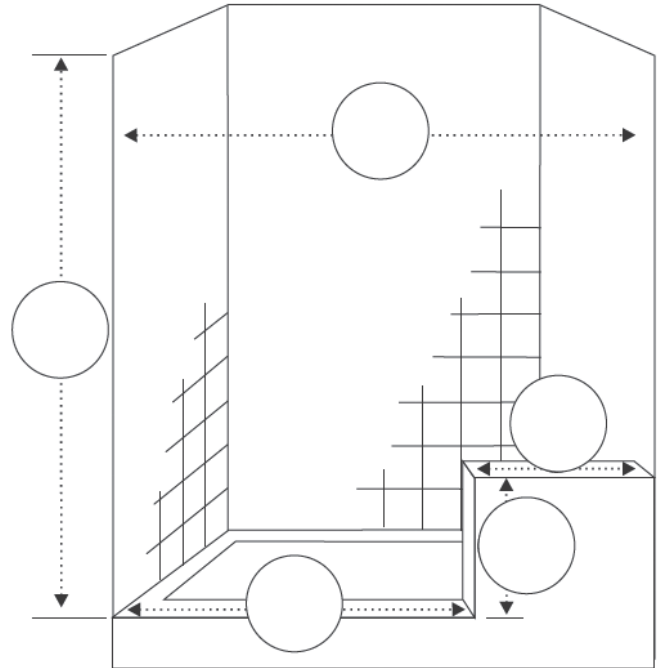
MEASURE GUIDE

GLASSCRAFTERS INC.

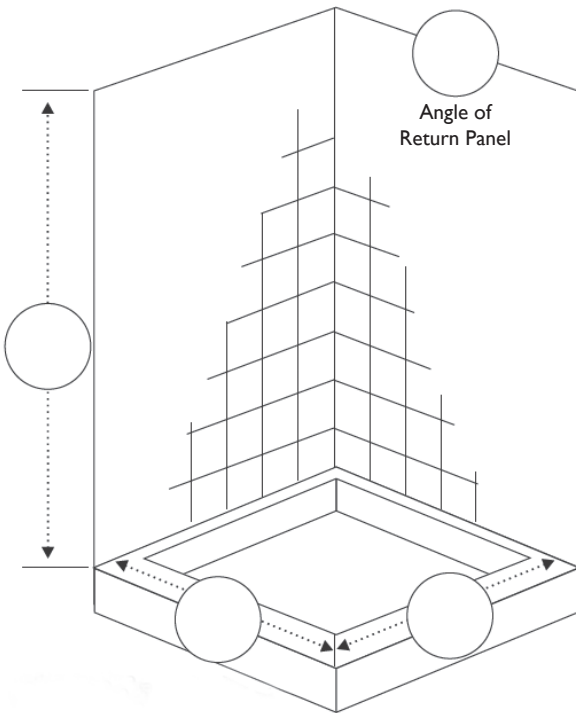
193 Veterans Blvd., Carlstadt, NJ 07072
Office (888) 683-1362 or (201) 525-1116
Fax (201) 525-1117 sales@glasscraftersinc.com



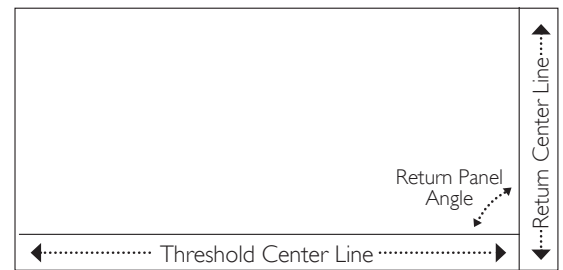
Stall



Stall with InLine Panel on Buttress



Stall with Return Panel



Top View

DEALER:	*JOB NAME:
	For Internal Tracking
CONTACT:	JOB LOCATION:
	*
PHONE:	EMAIL:
FAX:	



GLASSCRAFTERS INC.

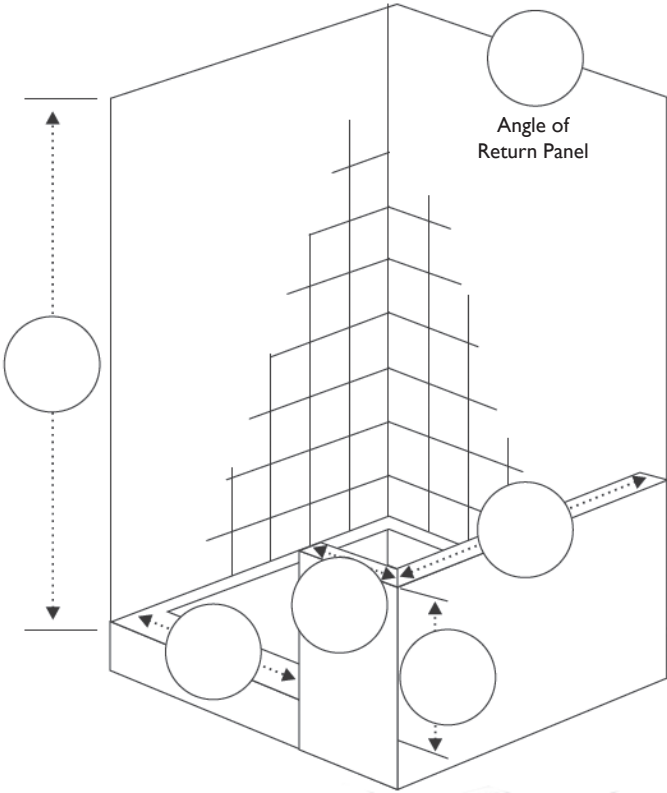
MEASURE GUIDE

GLASSCRAFTERS INC.

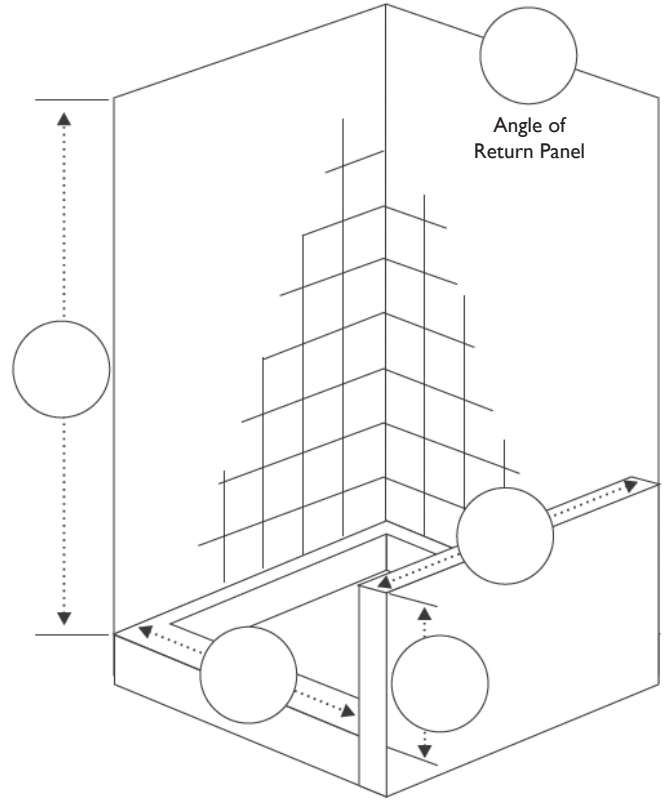
193 Veterans Blvd., Carlstadt, NJ 07072

Office (888) 683-1362 or (201) 525-1116

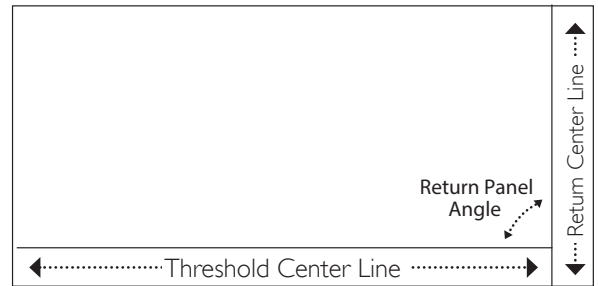
Fax (201) 525-1117 sales@glasscraftersinc.com



Stall with InLine Panel and Buttress Return Panel



Stall with Buttress Return Panel



Top View

DEALER:	*JOB NAME:
	For Internal Tracking
CONTACT:	JOB LOCATION:
	*
PHONE:	EMAIL:
FAX:	

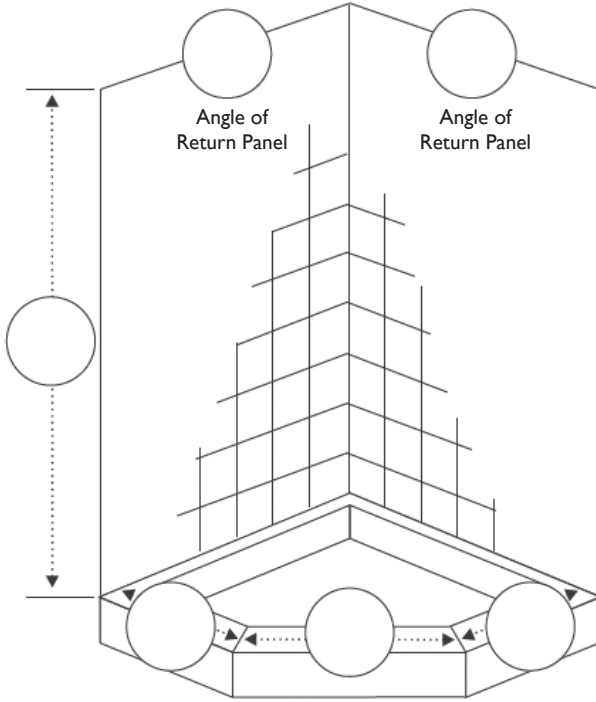


GLASSCRAFTERS INC.

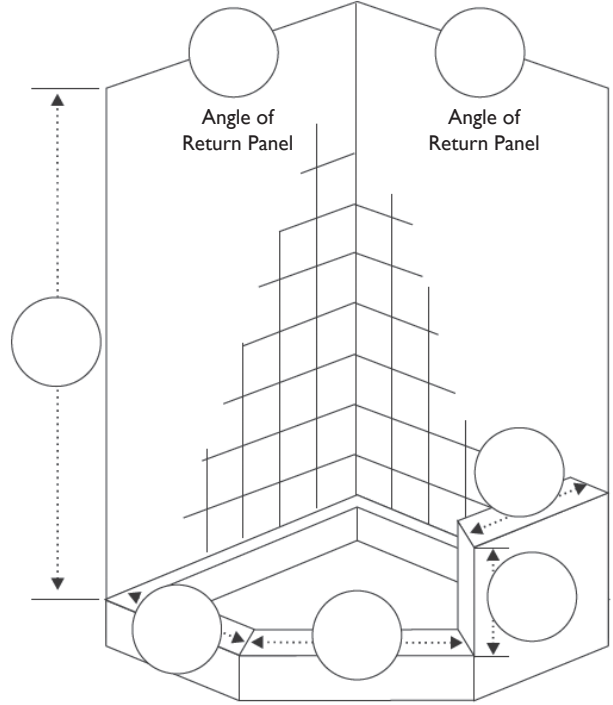
MEASURE GUIDE

GLASSCRAFTERS INC.

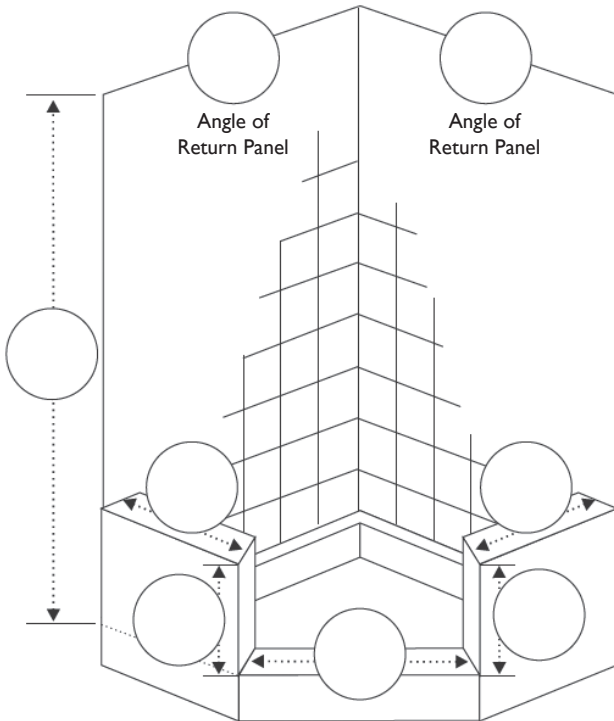
193 Veterans Blvd., Carlstadt, NJ 07072
Office (888) 683-1362 or (201) 525-1116
Fax (201) 525-1117 sales@glasscraftersinc.com



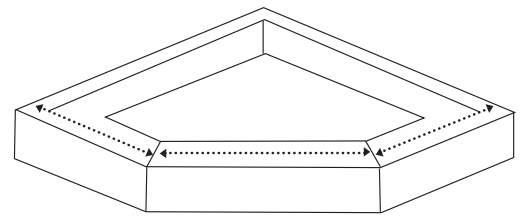
Neo Angle



Neo Angle with Buttress Panel



Neo Angle with Double Buttress Panel



Center Line Top View

DEALER:	*JOB NAME:
	For Internal Tracking
CONTACT:	JOB LOCATION:
	*
PHONE:	EMAIL:
FAX:	